



Quick Installation Guide 802.11n Unified Access Point

This document will guide you through the basic installation process for your new D-Link Unified Wireless Access Point.

DWL-6700AP



About This Guide

This installation guide provides basic instructions for installing the DWL-6700AP Wireless Access Point on your network. For additional information about how to use the Access Point, please see the User Manual, which is available on the CD included in this package or from the D-Link support website.

System Requirements

- CD-ROM Drive
- Windows®, Macintosh®, or Linux-based operating system
- Ethernet port or installed Ethernet adapter
- Internet Explorer 7.0, Safari 5.0, Firefox 4.0, or higher

Unpacking the Product

Open the shipping carton and carefully unpack its contents. Please consult the packing list below to make sure all items are present and undamaged. If any item is missing or damaged, please contact your local D-Link reseller for a replacement.

- DWL-6700AP 802.11n Unified Access Point
- Power Cord
- PoE adapter (24 V / 1 A)
- Shielded Cat 5E Ethernet Cable
- Mounting Ties (Qty. 2)
- CD-ROM
- Grounding Wire

Note: Using a different PoE adapter from the one included with the DWL-6700AP may cause damage and will void the warranty for this product.

Optional Accessories

- N/A

Note: These accessories are not included in the package. If any of these items are required, please contact your reseller to order it.

Hardware Overview

LEDs

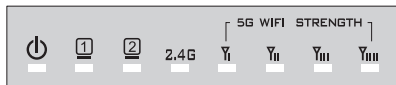


Figure 1. DWL-6700AP LEDs

Status (Green): Blinks if there is a system error. When the completes booting, the LED will be solid green.

5 GHz WiFi Strength

WDS Mode:

LED1 (red): Signal strength 20%

LED2 (amber): Signal strength 40%

LED3 (green): Signal strength 60%

LED4 (green): Signal strength 80%

AP Mode:

LED1 (red): The radio is up, LED is solid red, and blinks whenever is data transmitting/receiving.

LED2 (amber): Off

LED3 (green): Off

LED4 (green): Off

2.4 GHz (green): The radio is up, LED is solid green, and blinks whenever is data transmitting/receiving.

LAN1 (PoE in) (green): The physical connection is up, LED is solid green, and blinks whenever is data transmitting/receiving.

LAN2 (PoE in) (green): The physical connection is up, LED is solid green, and blinks whenever is data transmitting/receiving.

Interfaces

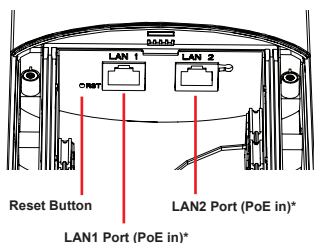


Figure 2. DWL-6700AP Rear Panel

* DWL-6700AP can be powered by the included PoE adapter from either LAN1 or LAN2

Installation

Power on the access point

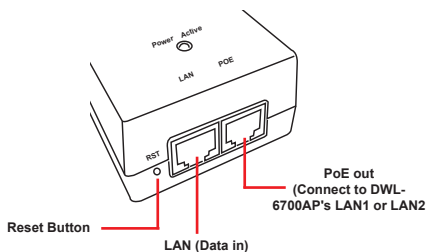


Figure 3. PoE Adapter Panel

To power on the DWL-6700AP, you can only use the proprietary PoE adapter included with the DWL-6700AP.

1. Connect the supplied PoE adapter and power cord to the AC power source.
2. Plug one end of an Ethernet cable into the LAN1 (or LAN2) port of the DWL-6700AP and the other end into a PoE out from a PoE adapter.

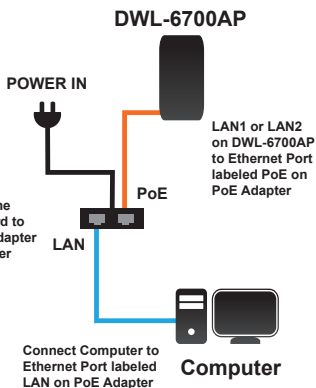


Figure 4. Deployment Example

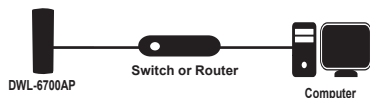
Configure the access point

To set up and manage the DWL-6700AP, use one of the following methods:

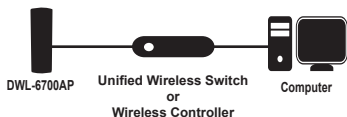
- LAN1 or LAN2 on DWL-6700AP to Ethernet Port labeled POE on PoE Adapter
- Connect the Power Cord to the PoE Adapter and a power outlet
- Connect Computer to Ethernet Port labeled LAN on PoE Adapter



- Manage the access point from the computer: Connect the access point and your computer directly via a straight-through Ethernet cable.



- Manage the access point from the computer via the Switch or Router: Connect the access point and your computer to the same switch or router.



- Manage the access point from the computer via the Unified Wireless Switch or Wireless Controller: Connect the access point to a Unified Wireless Switch or Wireless Controller. Connect your computer to the same network as that of the Unified Wireless Switch or Wireless Controller.

Mounting Options

Pole mount is the only option for the DWL-6700AP.

Cable Requirement

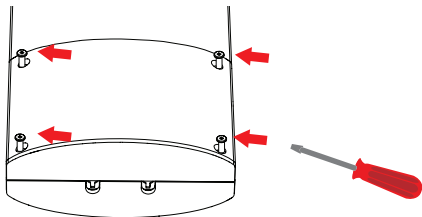
Use a Cat 5 cable with an even sheath. The Ethernet ports on the DWL-6700AP access point cannot accept a Cat 5 cable that has an uneven sheath; the RJ-45 connector on the cable will not fit properly into the receptacle on the access point.

Warning: The DWL-6700AP is designed to receive PoE power only from the proprietary PoE adapter (24 V/1 A) included with the DWL-6700AP. The DWL-6700AP is **NOT** an 802.3af-compliant device. Connecting an access point to a Power over Ethernet (PoE) device that is not approved by D-Link can damage the equipment.

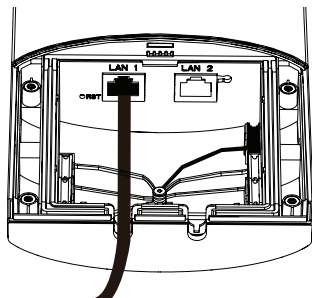
Pole Mounting Installation

Installation

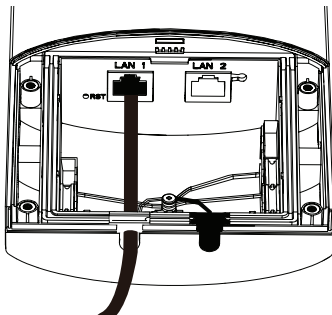
1. Open the bottom panel with a Hex screwdriver (T8).



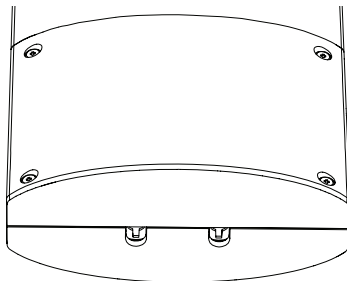
2. Plug the one end of Cat 5 cable into the LAN1 or LAN2 port on DWL-6700AP, and the other end to the port labeled POE on the PoE Adapter.



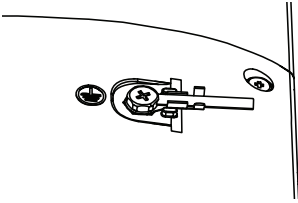
3. Choose a gasket (6 mm or 4 mm) to fit the Ethernet cable; if LAN2 is not in-use, please take off the black gasket.



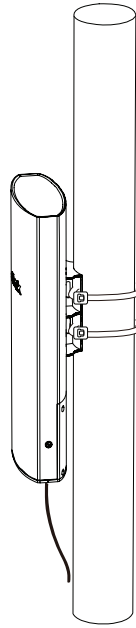
4. Close the bottom panel with a Hex screwdriver (T8).



5. (Optional) Attach a grounding wire.



7. Fasten the mounting ties.



6. Attach access point to a pole

