



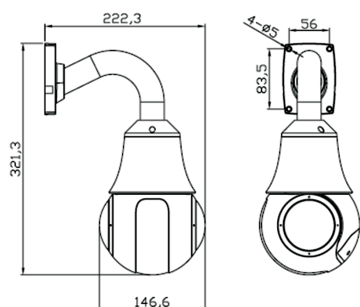
DCS-F6123

12X DAY & NIGHT HIGH SPEED DOME NETWORK CAMERA

KEY FEATURES

- 1/2.8" Progressive Scan CMOS
- 12X Optical Zoom, 16X Digital Zoom
- 2048(H) x 1536(V)/25fps
- Multiple Streams
- IR Range 100m
- Low bitrate, Excellent low light performance
- 3D DNR, dWDR, ICR, Defog

DIMENSION



ACCESSORIES



CAMERA	
Image Sensor	1/2.8" Progressive Scan CMOS
Min. illumination	Color 0.01Lux; B&W 0.001Lux; IR ON 0 Lux
Day & Night	ICR, Auto/Color/B&W
Shutter Speed	1/1-1/10000s
Auto Iris	Auto/Manual
Wide Dynamic Range	dWDR
Digital Noise Reduction	2D/3D, Auto/Manual
Lens	12X Module, 4,7 56.4mm
Digital Zoom	16X
FOV	69.7° ~ 7.56°
IR LED	6 pcs
IR Range	100m
Pan/Tilt	Pan 0-360° continuously, Tilt -10-90°
Pan/Tilt Speed	Pan: 0.01-180°/s, Tilt 0.01-90°/s, Preset Speed: Pan 180°/s, Tilt 90°/s
3D Position	YES
Coordinate Display	YES
Preset/Tour/Scan/Track	300/12/12/6
IMAGE	
Video Compression	H.264 High/Main/Baseline Profile, MJPEG
Bit Rate (CBR/VBR)	Main stream: 500kbps 12Mbps; Sub stream: 100kbps 4Mbps
Audio Compression	G.711 ,RAW_PCM
Max.Resolution	2048(H) x 1536(V)/25fps
Stream	Stream1 2048(H) x 1536(V) Stream 2 1080P/720P/D1/CIF/QCIF/VGA/QVGA/640x360
Image Setting	Rotate Mode, Saturation, Brightness, Contrast, Sharpness
HLC	Yes
ROI	Yes
Defog	Yes
NETWORK	
Network Protocols	IPv4/IPv6, RTSP/RTP/RTCP, TCP/UDP, HTTPS, DHCP, DNS, DDNS, PPPoE, SMTP
Alarm Trigger	Motion, Intrusion, Line Crossing, Tamper, Network Disconnect, Disk alarm, I/O alarm
RTSP Video	Standard RFC2326, Support QuickTime / VLC Player.
Security	User security authentication, Reset, Hardware WatchDog
Web Language	English, Chinese, Polish, Italian, Portuguese, Spanish
System Compatibility	Onvif, CGI
INTERFACE	
Ethernet	1 Ethernet (10/100 Base-T) RJ-45 Connector
Audio I/O	1ch Audio In, 1ch Audio Out
Alarm I/O	2ch Alarm In, 1ch Alarm Out
RS485	N/A
BNC Output	N/A
Reset Button	YES (Built-In)
Edge Storage	Micro SD/SDHC/SDXC slot (Built-in), Max 64GB
GENERAL	
Power Supply	Standard DC12V/POE+, Optional AC24V
Power Consumption	MAX 25W
Operating Temperature	Starting Temperature: -30 °C ~ 60 °C (-22 °F ~ 140 °F) Working Temperature: -40 °C ~ 60 °C (-40 °F ~ 140 °F)
Operating Humidity	0% - 90% RH
Protection	IP66, TVS4000V, IK10
Approvals	CE / FCC
Product Dimensions	321.3x222.3x146.6mm
Product Weight	1500g