



DCS-F5605E

5MP DAY & NIGHT VANDAL PROOF FIXED DOME CAMERA

KEY FEATURES

Optics

- Starlight Illumination
- Day/Night Functionality
- SmartIR, up to 30 m (98 ft) IR Distance
- Up to 120 dB WDR (Wide Dynamic Range)
- 2D/3D DNR (Digital Noise Reduction)

Compression

- Ultra 265, H.264, MJPEG
- Embedded Smart Algorithm
- ROI (Region of Interest)
- Customized OSD

Network

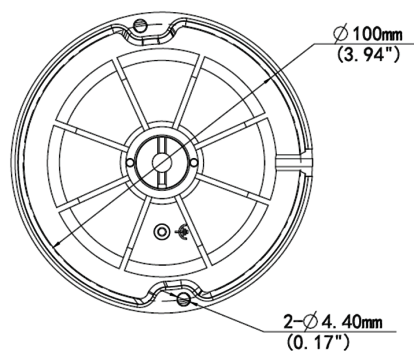
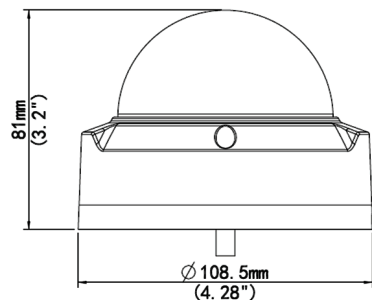
- ONVIF Conformance

Structure

- Wide Temperature Range: -35°C to 60°C (-31°F to 140°F)
- Wide Input Voltage Range of ±25%
- IK10 Vandal Resistant
- IP67
- 3-Axis

CAMERA					
Sensor	1/2.7", Progressive Scan, 5.0 megapixel, CMOS				
Lens	2.8 mm@F1.6				
DORI Distance	Lens	Detect(m)	Observe(m)	Recognize(m)	Identify(m)
	2.8mm	63	25.2	12.6	6.3
Angle of View (H)	105.3°				
Angle of View (V)	69.5				
Angle of View (O)	136.8				
Adjustment Angle	Pan: 0°~360° Tilt: 0°~75° Rotate:0°~360°				
Shutter	Auto/Manual, 1~1/100000 s				
Minimum Illumination	Colour: 0.005 Lux (F1.6, AGC ON) 0 Lux with IR				
Day/Night	IR-Cut Filter with Auto Switch (ICR)				
Digital Noise Reduction	2D/3D DNR				
S/N	>55 dB				
IR Range	Up to 30m (98 ft) IR Range				
Defog	Digital Defog				
WDR	120dB				
VIDEO					
Video Compression	Ultra 265, H.264, MJPEG				
H.264 Code Profile	Baseline profile, Main Profile, High Profile				
Frame Rate	Main Stream: 5MP(2592 x 1944): Max.20 fps, 5MP(2592 x 1944): Max.25 fps(WDR OFF), 4MP(2560 x 1440): Max. 30 fps, 3MP(2048x 1536): Max. 30 fps, 2MP(1920 x 1080): Max.30 fps; Sub Stream:2MP(1920 x 1080): Max.30 fps; Third Stream: D1(720 x 576): Max.30 fps;				
HLC	Supported				
BLC	Supported				
9:16 Corridor Mode	Supported				
OSD	Up to 8 OSDs				
Privacy Mask	Up to 8 Areas				
ROI	Up to 8 Areas				
Motion Detection	Up to 4 Areas				
SMART					
Behavior Detection	Intrusion, Cross Line, Motion Detection				
Intrusion	Enter and Loiter in a Pre-defined Virtual Region				
Cross line	Cross a Pre-defined Virtual Line				
Motion detection	Moving within a Pre-defined Virtual Region				
Recognition	Face Detection Audio Detection				
Intelligent Identification	Defocus, Scene Change				
Statistical Analysis	People Counting				
General Function	Watermark, IP Address Filtering, Tampering Alarm, Alarm Input, Alarm Output, Access Policy, ARP Protection, RTSP Authentication, User Authentication.				
AUDIO					
Audio Compression	G.711				
Two-way Audio	Supported				
Suppression	Supported				
Sampling Rate	8 KHZ				
STORAGE					
Edge Storage	Micro SD, up to 128 GB				
Network Storage	ANR				

DIMENSIONS



NETWORK	
Protocols	IPv4, IGMP, ICMP, ARP, TCP, UDP, DHCP, PPPoE, RTP, RTSP, RTCP, DNS, DDNS, NTP, FTP, UPnP, HTTP, HTTPS, SMTP, 802.1x, SNMP
Compatible Integration	ONVIF(Profile S, Profile G), API
INTERFACE	
Audio I/O	2 Input: impedance 35 k; Amplitude 2 V [p-p] 1 Output: impedance 600; Amplitude 2 V [p-p]
Alarm I/O	1 / 1
Network	1 RJ45 10M/100M Base-TX Ethernet
GENERAL	
Power	12 V DC±25%, PoE (IEEE802.3 af) Power Consumption: Max 5W
Dimensions (∅ x H)	∅108.5 x 81 mm (∅4.28" x 3.2")
Weight	0.45 kg (0.99 lb)
Working Environment	-35°C ~ +60°C (-31°F ~ 140°F), Humidity:10%~95% RH (Non-Condensing)
Ingress Protection	IP67
Vandal Resistant	IK10