



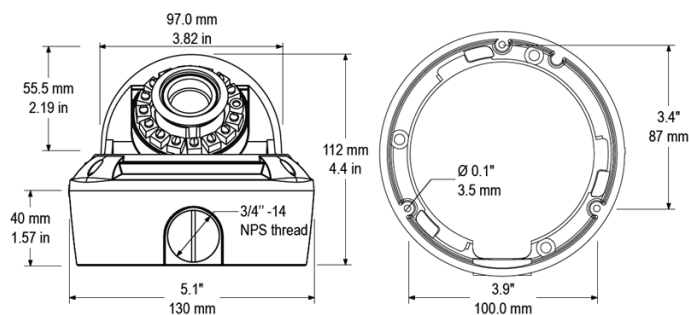
### DCS-F4622E

#### 4MP MOTORIZED VANDAL NETWORK IR DOME

##### KEY FEATURES

- 1/3" Progressive Scan CMOS
- Motorized Lens 2.8-12mm
- 4MP@20fps,3MP@30fps,1080P@30fps
- Triple Streams
- Smart IR Range 15-20m
- Low bitrate ,Excellent low light performance
- WDR,3D DNR
- ROI,Defog,HLC,Corridor mode,DIS

##### DIMENSION



CAMERA	
Image Sensor	1/3" Progressive Scan CMOS
Min. illumination	Color 0.05Lux; IR ON 0 Lux
Day & Night	ICR
Shutter Speed	1/5-1/20000
Auto Iris	Yes
Wide Dynamic Range	WDR>120dB
Digital Noise Reduction	2D/3D
Lens	Motorized Lens 2.8-12mm
FOV	90°~ 35°
IR LED	15pcs
IR Range	15-20m
IMAGE	
Video Compression	H.264/265, MJPEG
Bit Rate (CBR/VBR)	Main stream:500kb-12000kb ;Sub stream 100kb-6000kb
Audio Compression	G.711 ,RAW_PCM
Max.Resolution	2592*1520/2560*1440/20fps,2304*1296/30fps,1920x1080/30fps
Stream	Stream1 2592*1520/2560*1440/2304*1296/1920x1080 Stream 2 D1 to QVGA
Image Setting	Rotate Mode,Saturation,Brightness,Contrast,Sharpness
HLC	Yes
9:16 Corridor mode	Yes
DIS	Auto
ROI	Yes
Defog	Yes
NETWORK	
Network Protocols	HTTP,HTTPS, TCP/IP, UDP/IP, RTSP, DHCP, NTP, PPPoE, Unicast and Multicast supported.
Alarm Trigger	Motion Detection, Line Crossing, Tamper, Area Intrusion, Camera Move, Dwell, Multiple Dwell, Retrograde Detection, Object Left, Object Remove, Abnormal Speed, Illegal Parking, Network disconnect, Disk alarm, I/O alarm
RTSP Video	Standard RFC2326, Support QuickTime / VLC Player.
Security	User security authentication, Reset, Hardware WatchDog
Web Language	English, Chinese,Polish, Italian, Portuguese, Spanish.(Sunell Brand)
System Compatibility	Onvif ,CGI
INTERFACE	
Ethernet	1 Ethernet (10/100 Base-T) RJ-45 Connector
Audio I/O	1ch Audio In&1ch Audio Out
Alarm I/O	1ch Alarm In&1ch Alarm Out
RS485	Optional
BNC Output	Yes
Reset Button	Yes
Edge Storage	Micro SD/SDHC/SDXC slot ,Max 128GB
GENERAL	
Power Supply	DC12V/POE (AC24V Optional)
Power Consumption	3W (IR LED OFF) 5W IR LED ON
Operating Temperature	Starting Temperature: -30 °C ~ 60 °C (-22 °F ~ 140 °F) Working Temperature:-40 °C ~ 60 °C (-40 °F ~ 140 °F)
Operating Humidity	0% - 90% RH
Ingress Protection	IP66, IK10
Approvals	CE / FCC
Product Dimensions	φ130x112mm
Product Weight	900g