

DCS-F1622

2MP Varifocal Dome HD Cameras



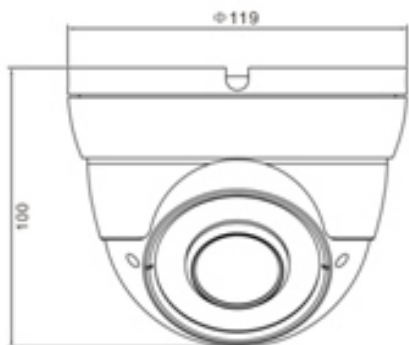
KEY FEATURES

- Full HD 1080P
- IR Range up to 35m
- Varifocal Lens : 2.8 to 12mm
- Support AHD / TVI / CVI / CVBS Output (OSD)
- Video Transmission 300m
- 1 /2.7" Scan CMOS
- 2D DNR, dWDR, ICR
- 12V DC Power
- IP66



DCS-F1622 2MP Varifocal Dome HD Cameras

DIMENSION



ACCESSORIES



SPECIFICATION

CAMERA

| | |
|-------------------------|-------------------------------------|
| Image Sensor | 1/2.7" CMOS |
| Signal System | PAL/NTSC |
| Min. illumination | Color 0.05 Lux(AGC ON);IR ON 0 Lux |
| S/N Ratio | ≥ 50dB |
| Day & Night | ICR |
| Shutter Speed | PAL:1/50-1/50000, NTSC:1/60-1/60000 |
| Wide Dynamic Range | dWDR |
| Digital Noise Reduction | 2D |
| Lens | 2.8-12mm |
| FOV | 90°~ 35° |
| IR LED | 24pcs |
| IR Wavelength | 850nm |
| IR Range | Up to 35m |
| OSD | Supported |

IMAGE

| | |
|----------------------|-----------------------|
| Effective Resolution | 1920x1080 |
| Frame | PAL:25fps ,NTSC:30fps |

VIDEO OUTPUT

| | |
|--------------|------------------|
| Max Distance | 75-5ohm 300m |
| Video Output | AHD/TVI/CVI/CVBS |

GENERAL

| | |
|----------------------|------------------------------|
| Power Supply | DC12V±10% |
| Power Consumption | 4W(Max) |
| OperatingTemperature | -10°C ~ 55°C (14°F ~ 131°F) |
| Operating Humidity | 0% - 85% RH |
| Ingress Protection | IP66 |
| Approvals | CE / FCC |
| Material | Aluminum Alloy |
| Product Dimensions | ∅119×100mm |
| Product Weight | 650g |