

DCS-F1612

2MP Fixed Dome HD Cameras



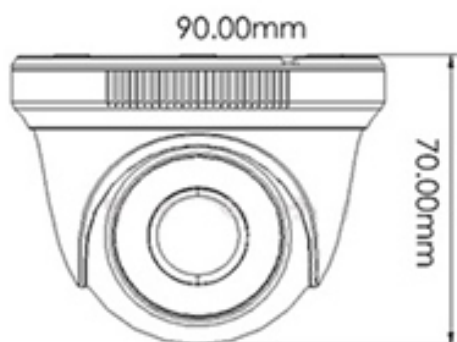
KEY FEATURES

- Full HD 1080P
- IR Range 20m
- Lens : 3.6mm / 6mm
- Support AHD / TVI / CVI / CVBS Output (OSD)
- Video Transmission 300m
- 1 /2.7" Scan CMOS
- 2D DNR, dWDR, ICR
- 12V DC Power



DCS-F1612 2MP FIXED DOME CAMERA

DIMENSION



SPECIFICATION

CAMERA

Image Sensor	1/2.7" CMOS
Signal System	PAL/NTSC
Min. illumination	Color 0.05 Lux(AGC ON);IR ON 0 Lux
S/N Ratio	≥ 50dB
Day & Night	ICR
Shutter Speed	PAL:1/50-1/50000, NTSC:1/60-1/60000
Wide Dynamic Range	dWDR
Digital Noise Reduction	2D
Lens	3.6mm / 6mm
FOV	85°
IR LED	18pcs
IR Wavelength	850nm
IR Range	20m
OSD	Supported

IMAGE

Effective Resolution	1920x1080
Frame	PAL:25fps ,NTSC:30fps

VIDEO OUTPUT

Max Distance	75-5ohm 300m
Video Output	AHD/TVI/CVI/CVBS

GENERAL

Power Supply	DC12V±10%
Power Consumption	3.5W(Max)
Operating Temperature	-10°C ~ 55°C (14°F ~ 131°F)
Operating Humidity	0% - 85% RH
Approvals	CE / FCC
Material	Plastic
Product Dimensions	φ90×70mm
Product Weight	146g