

Product Highlights

360° Whole Room Coverage

See it all with a wide-angle fisheye lens that gives you complete 360° coverage that lets you monitor a large area with a single camera

HD Image Quality and Detail

High-resolution 3 megapixel sensor provides a high-resolution image (up to 1920 x 1536) to monitor a large area with excellent detail

A Versatile Little Camera That Does It All

Night vision, two-way audio, motion detection, triggered snapshots and recordings, and even support for PoE so you can place it anywhere



DCS-4622

Vigilance 360° Full HD PoE Network Camera

Features

Camera

- 1/3.2" 3 megapixel CMOS progressive sensor
- Fixed fisheye lens: 1.1 mm F2.0
- Built-in microphone and speaker for 2-way communication
- ONVIF compliant

Connections

- 10/100 Fast Ethernet port with PoE support
- microSD card slot for onboard storage

Image & Video

- High resolution video and snapshots, up to 1920 x 1536
- Distortion correction
- H.264 and Motion JPEG compression
- Desktop, Wall, and Ceiling mount display modes
- ePTZ viewing
- Simultaneous multi-stream support
- Supports multiple access lists
- Built-in Samba client for saving to a NAS

The all-seeing-eye of the DCS-4622 Vigilance 360° Full HD PoE Network Camera gives you 360° coverage that captures it all. With its fisheye lens, a high-resolution 3 megapixel sensor, and distortion correction, it's the ideal solution for monitoring large areas with a single camera.

360 Degree Surveillance

The DCS-4622 uses a fisheye lens to provide incredible wide angle coverage; simply place it on a wall for panoramic 180° wall-to-wall coverage of a room, or place it on a ceiling for a full 360° view without blind spots. Distortion correction fixes the camera video so you can use ePTZ to zoom in, zoom out, and pan across your camera's video to survey a large area with ease.

Keep Watch 24/7

Day or night, the Vigilance 360° Full HD PoE Network Camera watches over your home or office to keep you informed of what's going on. Night vision with IR illuminators makes sure nothing is hidden in the shadows, even in complete darkness. Motion detection lets you record events with ease and can even save snapshots and video before the event even happens so you can get the whole picture. Two-way audio not only lets you hear what's happening, but also lets you talk back, so you can greet visitors or scare off intruders.

A Complete, Expandable Surveillance Solution

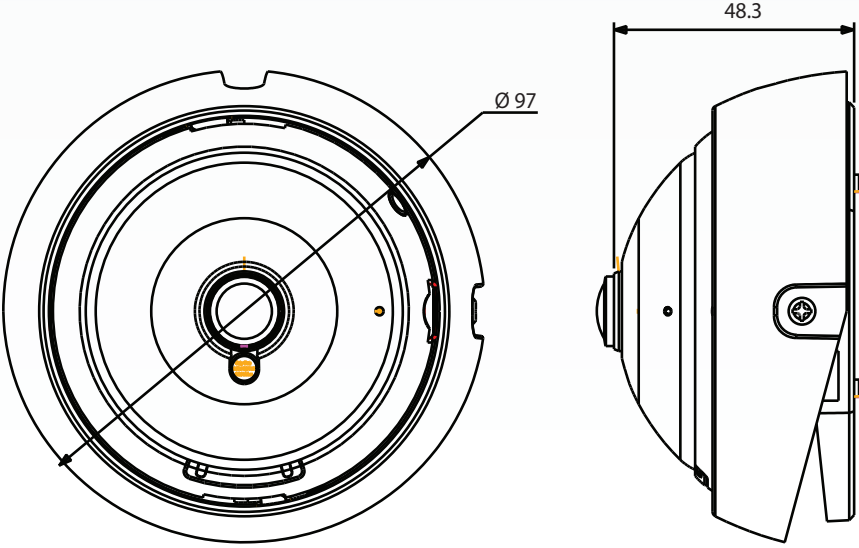
The DCS-4622 is a self-sufficient surveillance solution, capable of recording snapshots and video to a microSD card without requiring a PC or network storage device.

If you want to expand your surveillance options, D-ViewCam management software is also included, giving you the ability to manage up to 32 cameras with a robust set of features, including multi-camera views and automated e-mail alerts to keep you informed of suspicious or unusual activities.

Technical Specifications

Camera

Camera Hardware Profile	<ul style="list-style-type: none"> • 1/3.2" 3 megapixel progressive CMOS sensor • 8 meter (25 feet) IR illumination distance • Minimum illumination: <ul style="list-style-type: none"> • Day Mode: 0.5 lux • Night Mode (LEDs off): 0.25 lux • Night Mode (LEDs on): 0 lux • Built-in Infrared-Cut Removable (ICR) Filter module • Focal length: 1.1 mm • Aperture: F2.0 	<ul style="list-style-type: none"> • Angle of view: <ul style="list-style-type: none"> • (H) 180° • (V) 180° • (D) 180° • Angle of adjustment: <ul style="list-style-type: none"> • (V) 15° • Minimum object distance: 0.3 m • Built-in microphone and speaker
Image Features	<ul style="list-style-type: none"> • Configurable image size, quality, frame rate, and bit rate • Time stamp and text overlays • Flip and mirror • Configurable motion detection windows 	<ul style="list-style-type: none"> • Desktop, wall, and ceiling display modes • Configurable shutter speed, brightness, saturation, contrast, and sharpness • WDR • 3D filter
Display Modes:	<ul style="list-style-type: none"> • Fisheye View • Normal View • Multi-View with Panorama 	<ul style="list-style-type: none"> • Panoramic View • Mixed View (with Fisheye) • Multi View
Video Compression	<ul style="list-style-type: none"> • Simultaneous H.264/MJPEG format compression • H.264/MJPEG multicast streaming 	<ul style="list-style-type: none"> • JPEG for still images
Video Resolution	<ul style="list-style-type: none"> • 1920 x 1536, 1440 x 1152, 1280 x 1024, 960 x 768, 640 x 512 up to 25 fps 	
Audio Support	<ul style="list-style-type: none"> • G.711 	<ul style="list-style-type: none"> • AAC
External Device Interfaces	<ul style="list-style-type: none"> • 10/100 BASE-TX Fast Ethernet port • Supports 802.3af PoE (Class 2) 	<ul style="list-style-type: none"> • microSD/SDHC/SDXC card slot, accepts cards up to 128 GB²
Network		
Network Protocols	<ul style="list-style-type: none"> • IPv4, IPv6, ARP, TCP, UDP, ICMP • DHCP client • NTP client (D-Link) • DNS client • SMTP client • DDNS client (D-Link) • SMTP client • FTP client • HTTP server • HTTPS for configuration • Samba client 	<ul style="list-style-type: none"> • PPPoE • UPnP port forwarding • RTP/RTSP/RTCP • IP filtering • QoS/DSCP • CoS • Multicast • SNMP • IGMP • ONVIF compliant • Bonjour
Security	<ul style="list-style-type: none"> • Administrator and user group protection • Password authentication 	<ul style="list-style-type: none"> • HTTP and RTSP digest encryption

System Management	
System Requirements for Web Interface	<ul style="list-style-type: none"> • Browser: Internet Explorer, Firefox, or Safari
Event Management	<ul style="list-style-type: none"> • Motion detection • Event notification and uploading of snapshots/video clips via e-mail or FTP • Supports multiple SMTP and FTP servers • Multiple event notifications • Multiple recording methods for easy backup
Remote Management	<ul style="list-style-type: none"> • Take snapshots/video clips and save to local hard drive • Configuration interface accessible via web browser
D-ViewCam™ System Requirements	<ul style="list-style-type: none"> • Operating System: Microsoft Windows 10/8/7/Vista • Web Browser: Internet Explorer 7 or higher • Protocol: Standard TCP/IP
D-ViewCam™ Software Functions	<ul style="list-style-type: none"> • Remote management/control of up to 32 cameras • Viewing of up to 32 cameras on one screen • Supports all management functions in web interface • Scheduled motion triggered or manual recording options
Physical	
Weight	<ul style="list-style-type: none"> • 188 g ± 5%
External Power Adapter (not included)	<ul style="list-style-type: none"> • Input: 100 to 240 V AC, 50/60 Hz • Output: 12 V DC, 1.5 A
Power Consumption	<ul style="list-style-type: none"> • 4.6 watts max.
Temperature	<ul style="list-style-type: none"> • Operating: 0 to 40 °C (32 to 104 °F) • Storage: -20 to 70 °C (-4 to 158 °F)
Humidity	<ul style="list-style-type: none"> • Operating: 20% to 80% non-condensing • Storage: 5% to 95% non-condensing
Certifications	<ul style="list-style-type: none"> • CE • CE LVD • FCC • C-Tick
Dimensions	 <p>The image contains two technical drawings of the camera. The left drawing is a top-down view of the camera's circular lens housing, showing concentric rings and a central lens. A dimension line indicates a diameter of 97mm (Ø 97). The right drawing is a side profile view of the camera, showing its depth and a mounting bracket on the side. A dimension line indicates a height of 48.3mm.</p>

DCS-4622 Vigilance 360° Full HD PoE Network Camera

Order Information	
<i>Part Number</i>	<i>Description</i>
DCS-4622	Vigilance 360° Full HD PoE Network Camera

Optional Mounting Brackets	
<i>Part Number</i>	<i>Description</i>
DCS-37-1	Wall type mount bracket
DCS-37-2	Ceiling type mount bracket

¹ Frame rates when streaming video may vary depending on network conditions and method used.
² microSD/SDHC/SDXC v3.1 compatible.

Updated 2017/03/01