



True Surround:
360° - view surveillance



Wireless: Wireless N for flexible placement



Remote Viewing: View on iPhone®, iPad® or Android® with mydlink™ app



Flexible Placement: Ceiling, desk or wall mountable



Advanced Image Processing: Fisheye or Panel View

Cloud Camera 6100

360° HD Megapixel Network Camera

Product Highlights

Fisheye Lens for Full Area Surveillance

Get 360° of surveillance coverage with a wide-angle fisheye lens that lets you monitor a large area with a single camera

HD Image Quality and Detail

High-resolution 2 megapixel sensor provides a 1600 x 1200 resolution image to monitor a large area with excellent detail

mydlink-enabled Cloud Access

Easy remote viewing and management of your camera on your mobile device or through the mydlink website

360° HD Megapixel Network Camera

The D-Link® Cloud Camera 6100 (DCS-6010L) is a 360° HD Megapixel Network Camera. With 360° of Surround View coverage, the Cloud Camera 6100 does the work of multiple cameras in one sleek, versatile package.

See More of What You Value with 360° Surround View

The D-Link Cloud Camera 6100 is equipped with a fisheye lens for both 180° panoramic view and 360° surround view modes, giving you complete vision of your business, home or office. With the latest cutting-edge image processing, images captured from the fisheye camera can be converted into multi-panel rectilinear projection for the ultimate in business and home surveillance. And with ultra-smooth digital pan/tilt and zoom functionality, you can easily keep an eye on what you value most.

Package Contents

- Cloud Camera 6100 (DCS-6010L)
- Ethernet Cable
- Power Adapter
- Mounting Kit
- Quick Install Guide

Minimum System Requirements

Wired (10/100 Fast Ethernet) or Wireless (802.11g or 802.11n) Network (Wireless N network recommended for optimum wireless performance)

Computer with:

- 1.3GHz Processor
- 128MB Memory
- Windows® 7⁵, Windows Vista®⁵ and Windows® XP SP3®⁵, or Mac OS X (10.5 and above, Intel Processor)
- Internet Explorer® 7, Mozilla® Firefox®, Google® Chrome, or Safari® v4

For Internet Access:

- Cable or DSL Modem
- Subscription with an Internet Service Provider (ISP)

Features

- Remotely monitor your home or office over the Internet
- Equipped with a panoramic (fisheye) lens for 180° panoramic view (wall mount) or 360° surround view (ceiling mount)
- Wireless 802.11n Compliant with Wi-Fi Protected (WPS) Button⁷
- 2 Megapixel resolution 1600x1200
- Built-in Mic and Speaker
- Supports H.264/MJPEG/MPEG-4 Video Codecs
- microSD/SDHC Card Slot for Local Recording¹
- Motion Detection to Trigger Recording and Send E-mail Alerts
- Supports ePTZ
- Support for iPhone®, iPad® & Android™ App²
- mydlink.com Portal for Easy Viewing and Management
- Administrator/User Password Protection
- UPnP® Support for Network Setup & Configuration
- 24/7 Basic Installation Support³
- 1-Year Limited Warranty⁴

2 Megapixel for Superior Image Quality

The Cloud Camera 6100 delivers the confidence of 2 Megapixel video clarity, ensuring rich detail and crisp image quality for your surveillance recording.

Industry-Leading Remote Viewing with mydlink

With the free mydlink Lite app, you can monitor your home or business on your iPhone, iPad or Android device and experience the peace of mind that comes from having round-the-clock surveillance at your fingertips. Check in on your home while you're at work, or monitor on your business when you're out of the office – with mydlink, you can keep an eye on what matters, whenever and wherever you want.

Make Easy Setup Even Easier – With Zero Configuration

Connecting your D-Link camera with any router is easy – make it even easier with your D-Link Cloud Router. Zero Configuration automatically configures and intelligently syncs your D-Link camera to your mydlink account – it's as easy as connect and view!



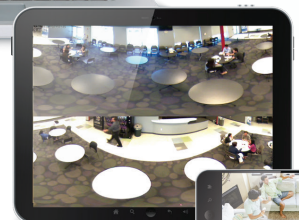
Wall



Desk



Ceiling



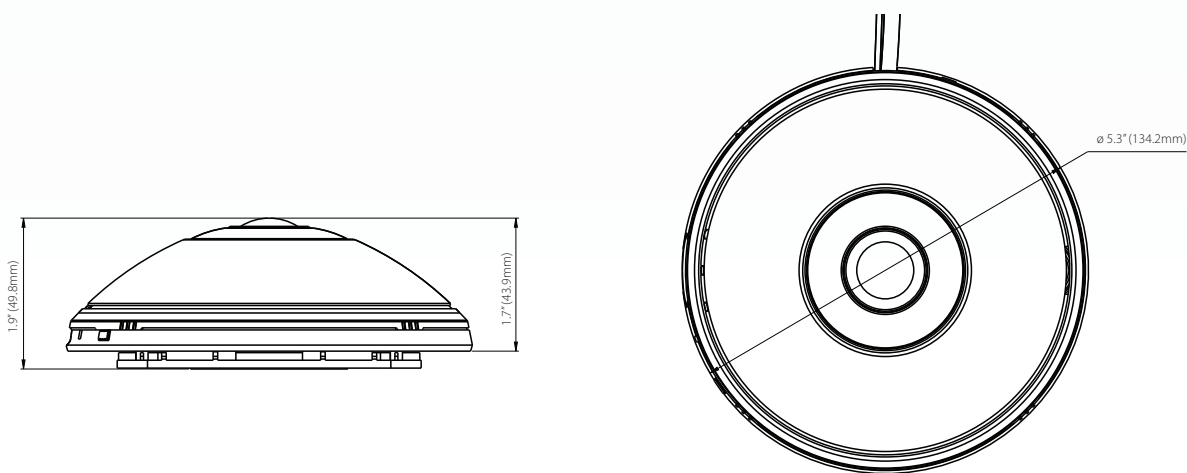
Technical Specifications		
Camera		
Hardware Profile	<ul style="list-style-type: none"> • 1/3.2" 2 megapixel progressive CMOS sensor • Minimum illumination: 2 lux • Built-in microphone and speaker 	<ul style="list-style-type: none"> • 10x digital zoom • Focal length: 1.25 mm • Aperture: F2.0
Field of View	• (H)180°, (V)180°, (D)180°	
Image Features	<ul style="list-style-type: none"> • Configurable image size, quality, frame rate, and bit rate • Fisheye distortion correction • Time stamp and text overlays 	<ul style="list-style-type: none"> • Configurable brightness, saturation, contrast, and sharpness • Configurable motion detection windows
Video Compression	<ul style="list-style-type: none"> • H.264/MPEG-4/MJPEG simultaneous format compression 	<ul style="list-style-type: none"> • H.264/MPEG-4 multicast streaming • JPEG for still images
Video Resolution	• 1600 x 1200, 1200 x 900, 800 x 600, 400 x 300 up to 15 fps recording ⁸	
Audio Support	• G.726	• G.711
External Device Interface	<ul style="list-style-type: none"> • 10/100 BASE-TX Fast Ethernet port • 802.11n wireless 	• microSD/SDHC card slot
Network		
Network Protocols	<ul style="list-style-type: none"> • IPv6 • IPv4 • TCP/IP • UDP • ICMP • DHCP client • NTP client (D-Link) • DNS client • DDNS client (D-Link) • SMTP client • FTP client 	<ul style="list-style-type: none"> • HTTP / HTTPS • Samba client • PPPoE • UPnP port forwarding • RTP / RTSP / RTCP • IP filtering • QoS • CoS • Multicast • IGMP • ONVIF compliant
Security	<ul style="list-style-type: none"> • Administrator and user group protection • Password authentication 	• HTTP and RTSP digest encryption
System Management		
System Requirements for Web Interface	• Browser: Internet Explorer, Mozilla Firefox, or Google Chrome	
Event Management	<ul style="list-style-type: none"> • Motion detection • Event notification and upload snapshots/video clips via email or FTP 	<ul style="list-style-type: none"> • Supports multiple SMTP and FTP servers • Multiple event notification • Multiple recording methods for easy backup
Remote Management	<ul style="list-style-type: none"> • Configuration accessible via web browser • Take snapshots/video clips and save to local hard drive or NAS via web browser 	
Mobile Support	<ul style="list-style-type: none"> • Windows 7®/Vista®/XP® system, Pocket PC, or mobile phone • mydlink™ mobile app for iOS and Android mobile devices 	
D-ViewCam™ System Requirements	<ul style="list-style-type: none"> • Operating System: Microsoft Windows 7/Vista/XP • Web Browser: Internet Explorer 7 or higher 	• Protocol: Standard TCP/IP
D-ViewCam™ Software Functions	<ul style="list-style-type: none"> • Remote management/control of up to 32 cameras • Viewing of up to 32 cameras on one screen 	<ul style="list-style-type: none"> • Supports all management functions in web interface • Scheduled motion triggered or manual recording options

DCS-6010L Cloud Camera 6100

General Specifications	
Max. Power Consumption	• 3.9 watts
Operating Temperature	• 32° to 104° F (0° to 40° C)
Storage Temperature	• -4° to 158° F (-20° to 70° C)
Operating Humidity	• 20% to 80% non-condensing
Storage Humidity	• 5% to 95% non-condensing
Certifications	<ul style="list-style-type: none"> • CE • CE LVD • FCC • C-Tick
Dimensions	• ϕ 5.28" x 1.96" (ϕ 134.2mm x 49.8mm)
Weight	• 8.32oz (235 grams)
Warranty	
Warranty	• 1-Year Limited ¹
Order Information	
<i>Part Number</i>	<i>Description</i>
DCS-6010L	Cloud Camera 6100

¹Use of audio or video equipment for recording the image of a person without their knowledge and consent is prohibited in certain states or jurisdictions. The end-user assumes all liability for compliance with applicable state, local and federal laws. ²The inclusion of a specific product or manufacturer does not imply its endorsement of D-Link or the D-Link product. ³24/7 Basic Installation Support is available only in the USA for the first 30 days from date of original purchase. ⁴1-Year Limited Warranty available only in the USA and Canada. ⁵Computer must adhere to Microsoft's recommended System Requirements. ⁶Zero Configuration requires mydlink-enabled Cloud Router. ⁷Frame rates when streaming video may vary depending on network conditions and method used. ⁸Frame rates when streaming video may vary depending on network conditions and method used. ⁹Maximum wireless signal rate derived from IEEE Standard 802.11 specifications. Actual data throughput will vary. Network conditions and environmental factors, including volume of network traffic, building materials and construction, and network overhead, lower actual data throughput rate. Environmental factors will adversely affect wireless signal range. Wireless range and speed rates are D-Link RELATIVE performance measurements based on the wireless range and speed rates of a standard Wireless G product from D-Link. Maximum throughput based on D-Link's 802.11n devices.

All references to speed and range, including the performance chart, are for comparison purposes only. Product specifications, size, and shape are subject to change without notice, and actual product appearance may differ from that depicted on the package. See inside package for warranty details.



U.S.A. | 17595 Mt. Herrmann Street | Fountain Valley, CA 92708 | 800.326.1688 | dlink.com **Canada** | 2525 Meadowvale Blvd | Mississauga, ON L5N 5S2 | 800.361.5265 | dlink.ca

©2012 D-Link Corporation/D-Link Systems, Inc. All rights reserved. D-Link, the D-Link logo, mydlink, and the D-Link RoHS logo are trademarks or registered trademarks of D-Link Corporation or its subsidiaries in the United States and/or other countries. Other trademarks or registered trademarks are the property of their respective owners. iPhone and iPad are registered trademarks of Apple Inc. Android is a trademark of Google Inc.

Updated 10/18/12



D-Link[®]
Building Networks for People