

Product Highlights

Precision Monitoring

Pan, tilt, zoom apparatus provides a 360 degree range of motion with proportional speed adjustment

Wide Dynamic Range (WDR)

Neutralizes imperfect lighting, providing clear images with the right amount of contrast even when a subject is backlit

Superior Image Quality

Sony EX-View CCD technology with removable IR cut filter offers crisp color images in daylight and clear grayscale images in low-light

Weatherproof

- IP66 rated
- Built-in fan and heater



DCS-6818

36x High Speed Dome Network Camera

Features

- 36x Optical Zoom
- Wide Dynamic Range (WDR)
- 0.1 Lux (Color); 0.01 Lux (B/W)
- 30 fps (NTSC) / 25 fps (PAL)
- H.264/MJPEG and MPEG4 multi-profile
- Pre/post buffer for video recording
- Upload snapshots via e-mail
- Upload video clips via FTP
- Motion detection with configurable detection areas
- FTP and e-mail event handle
- 1/4" EX-View CCD Sensor
- Day/Night: ICR
- Manual/Auto Focus (AF)
- Adjustable image size and quality
- Time stamp and text overlays
- Configurable motion detection windows
- 360° pan capability
- 8 Sequence presets
- 16 Privacy masks
- Extended temperature range: -40°C to +50°C
- IP66 - rated

Powerful Digital Surveillance

The D-Link DCS-6818 is a high-performance high speed dome network camera, ideal for business IP surveillance applications. The DCS-6818 employs Sony 1/4" EX-View CCD technology to deliver exceptional picture quality. High-performance technology provides real-time video compression in H.264/MPEG-4 and MJPEG formats.

Proportional Pan, Tilt, and Zoom Speeds

Adjusting the camera is painless since the pan and tilt speed is proportional to the optical zoom ratio of the camera. When the camera zooms in, the panning speed is automatically slowed to improve camera tracking and controllability. PTZ presets allow the camera to monitor specified areas along predefined paths.

Weatherproof for Outdoor Use

The DCS-6818 camera apparatus is housed in a weatherproof enclosure (IP66 standard). A built-in heater and fan allows camera to operate in extreme environments at temperatures ranging from -40°C to 50°C.

Mechanical IR Cut Filter for Day and Night Monitoring

The IR Cut Filter can be manually applied, or set to automatically adjust based on lighting conditions. This feature enables the camera to capture crisp color images during the daytime, and grayscale images in low-light.

Wide Dynamic Range (WDR) Applications

The Wide Dynamic Range (WDR) function of a camera provides clear images even under backlit conditions where the intensity of illumination can vary significantly. The DCS-6818 is recommended for extreme high-contrast environments.

Robust Management Software

D-ViewCam is a software program that allows you to view up to 32 cameras on a single computer screen from a central location. Motion detection and digital input devices trigger automated e-mail alerts that can instantly inform administrators of unusual activities.

Open Network Video Interface Forum (ONVIF)

ONVIF is an open industry forum for the development of a global standard for the interface of IP based physical security products. ONVIF identifies a standard for how IP products within video surveillance and other physical security areas can communicate with each other ensuring interoperability between products regardless of brand. The DCS-6818 is ONVIF compliant and therefore compatible with many third party Video Management Software (VMS) solutions.

Technical Specifications

Camera

Hardware Profile	<ul style="list-style-type: none"> • 1/4" EX-View CCD Sensor • 36X optical zoom • 12 Digital Zoom • Day / Night: ICR • 0.1 Lux (Color); 0.01 Lux (B/W) • 540 TVL • Electronic shutter speed 1/1 ~ 1/10K sec 	<ul style="list-style-type: none"> • Auto Gain Control(AGC) • Manual / Auto Focus(AF) • Manual / Auto Exposure(AE) • Manual / Auto White Balance(AWB) • Backlight Compensation(BLC) • Wide Dynamic Range (WDR)
Focal Length	• Focal length 3.4~122.4 mm	
Angle of View	• Horizontal: 60.8° ~ 1.8°	
Video Code Support	<ul style="list-style-type: none"> • JPEG for still image • H.264/MPEG4/MJPEG triple format compression 	
Video Resolution	NTSC Support: <ul style="list-style-type: none"> • Up to 30 fps at 176 x 120 • Up to 30 fps at 352 x 240 • Up to 30 fps at 720 x 480 	PAL Support: <ul style="list-style-type: none"> • Up to 25 fps at 176 x 144 • Up to 25 fps at 352 x 288 • Up to 25 fps at 720 x 576
Video Features	<ul style="list-style-type: none"> • Adjustable image size and quality • Time stamp and text overlays • Configurable motion detection windows 	
Video Bit Rate	• Up to 3 Mbps	

Network

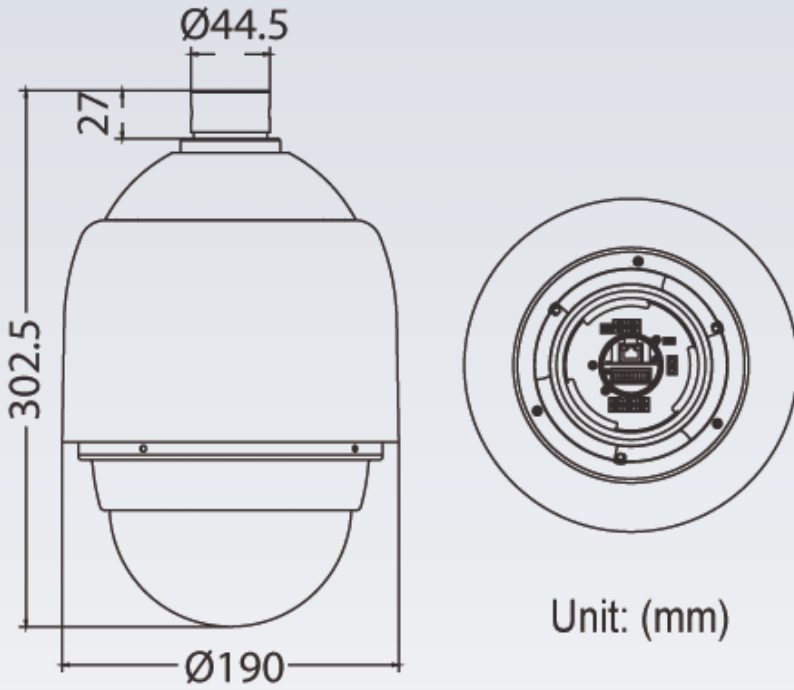
Network Protocols	<ul style="list-style-type: none"> • IPv4 • TCP/IP • UDP • ICMP • DHCP Client • NTP Client (D-Link) • DNS Client • DDNS Client (D-Link) • SMTP Client • FTP Client 	<ul style="list-style-type: none"> • HTTP / HTTPS • Samba Client • PPPoE • UPnP Port Forwarding • RTP / RTSP / RTCP • IP filtering • 3GPP • CoS/QoS • IGMP • ONVIF Compliant
-------------------	--	--

System Management		
Surveillance Software Functions	<ul style="list-style-type: none"> • Remote management/control of up to 32 cameras • Management functions provided in web interface 	<ul style="list-style-type: none"> • Management functions provided in web interface- Internet • Scheduled motion triggered, or manual recording
Remote Management	<ul style="list-style-type: none"> • Configuration accessible via web browser 	<ul style="list-style-type: none"> • Take snapshots/video clips and save via web browser
System Requirements	<ul style="list-style-type: none"> • Operating System: Microsoft Windows 2000, XP, Vista 	<ul style="list-style-type: none"> • Browser: Internet Explorer 6.0 or above
General Specifications		
IO Port	<ul style="list-style-type: none"> • 8 Alarm inputs 	<ul style="list-style-type: none"> • 1 Alarm output
Dome Operation	<ul style="list-style-type: none"> • 360° pan capability • 8 Sequence presets • -10° ~ 190° Tilt travel • 16 Privacy masks • 0.225° Pan / Tilt preset accuracy • Auto-flip 	<ul style="list-style-type: none"> • 5° ~ 400° Pan / Tilt preset speed • Built-in heater and fan • 4 Cruise presets • IP66 standard • 4 Auto pan presets • Vandal-proof
Power Input	<ul style="list-style-type: none"> • AC 24 V 	
Max. Power Consumption	<ul style="list-style-type: none"> • 65 W (with heater) 	
Operating Temperature	<ul style="list-style-type: none"> • -40° to 122° F (-40° to 50° C) 	
Storage Temperature	<ul style="list-style-type: none"> • -4° to 158° F (-20° to 70° C) 	
Operating Humidity	<ul style="list-style-type: none"> • 20% to 80% non-condensing 	
Certifications	<ul style="list-style-type: none"> • FCC • CE • RoHS 	
Warranty		
Warranty	<ul style="list-style-type: none"> • 1-Year Limited¹ 	
Order Information		
<i>Part Number</i>	<i>Description</i>	
DCS-6818	High Speed Dome Network Camera	
Mounting Accessories (Not Included with Camera)		
Outdoor Power Supply (DCS-80-5)	<ul style="list-style-type: none"> • Dimensions: 7.36 x 5.78 x 3 inches (187 x 147 x 76 mm) • Mounting Area: 7.36 x 7.16 inches (187 x 147 mm) 	<ul style="list-style-type: none"> • Weight: 4.4 lbs (2 kg)
Pendant Mount (DCS-32-2)	<ul style="list-style-type: none"> • Height: 19.7 inches (500 mm) • Diameter: 2 inches (50 mm) 	<ul style="list-style-type: none"> • Weight: 4 lbs (1.8 kg)
Wall Mount (DCS-32-4)	<ul style="list-style-type: none"> • Dimension: 8 x 4.8 x 5.3 inches (204 x 124 x 135.2 mm) • Diameter: 1.8 inches (44.5 mm) 	<ul style="list-style-type: none"> • Weight: 2.6 lbs (1.2 kg)

¹1-Year Limited Warranty available only in the USA and Canada.

All references to speed are for comparison purposes only. Product specifications, size and shape are subject to change without notice, and actual product appearance may differ from that depicted herein.

DCS-6818 High Speed Dome Network Camera



For more information

D-Link Systems, Inc. | 17595 Mt. Herrmann Street | Fountain Valley, CA 92708 | 800.326.1688 | dlink.com

©2012 D-Link Corporation/D-Link Systems, Inc. All rights reserved. D-Link, the D-Link logo, and the D-ViewCam are trademarks or registered trademarks of D-Link Corporation or its subsidiaries in the United States and/or other countries. Other trademarks or registered trademarks are the property of their respective owners. Visit www.dlink.com for more details. ¹



D-Link[®]
Building Networks for People